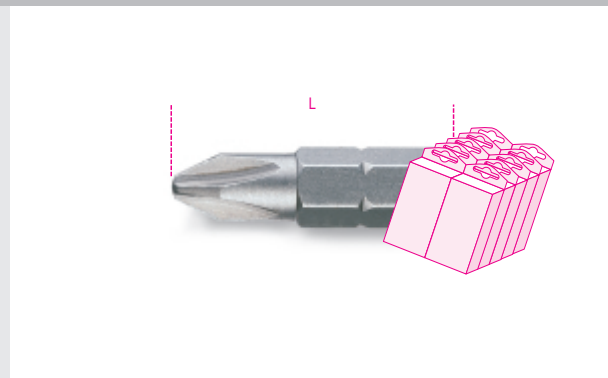





ISO 2351-2



 art.	art.	PH	L mm
008610250	861PH/C	0	25
008610255	861PH/C	1	25
008610260	861PH/C	2	25
008610263	861PH/C	2L	50
008610265	861PH/C	3	25
008610270	861PH/C	4	25